



02 9452-3566
sales@getpacked.com.au



Get Packed Pty Ltd | 12 Cook Street Forestville NSW 2087 | www.getpacked.com.au | +61294523566

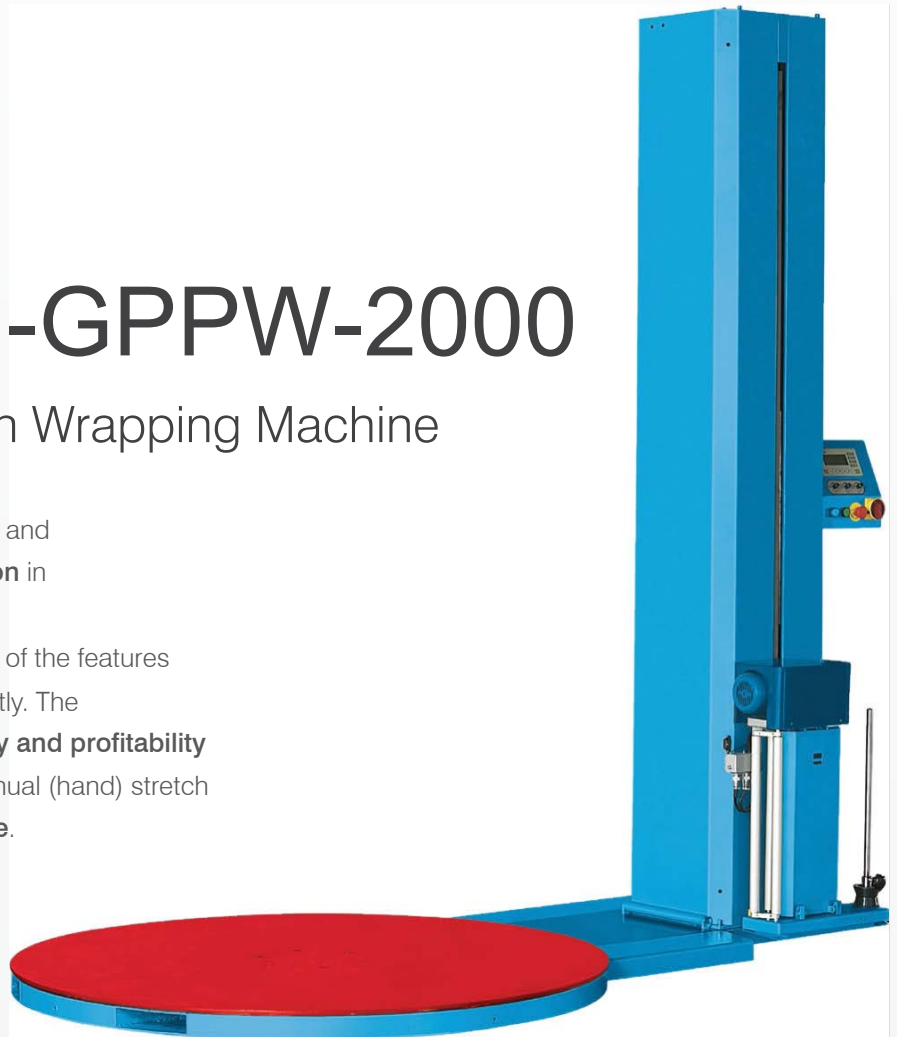


PackMATE 1-GPPW-2000

Semi-Auto Stretch Wrapping Machine


The PackMATE GPPW-2000 has been designed and built with **economy, efficiency and safe operation** in mind.

These stretch wrapping machines will give you all of the features you need to wrap pallet loads quickly and efficiently. The GPPW-2000 can dramatically **increase efficiency and profitability** through lower film cost per load compared to manual (hand) stretch wrapping due to the **powered pre-stretch feature**.




Main Features

2.5x Powered Pre-Stretch up to 250%.

 Eliminate the need for labour intensive, inefficient manual hand wrapping.

 Rugged steel construction for long-term reliability.

 Photocell eye for automatic height detection.

Forklift relocation slots for easy machine transportation.

Automatic and manual wrapping programs.

Includes ramp for pallet truck access.

User friendly 'Soft Touch' controls.





PackMATE GPPW-2000

Semi-Auto Stretch Wrapping Machine

Standard Features

- Power Pre-Stretch up to 250%
- Easy film threading/quick loading
- Electronic screen with 'Soft Touch' control
- Variable film carriage and turntable speeds
- Forklift relocation slots
- Photocell eye for automatic height detection
- Automatic and Manual wrapping programs
- Soft-start and stop turntable drive
- Ramp can be fixed to the table at 3 different angles
- Includes pallet truck access ramp
- Heavy-duty industrial chain driven turntable
- Safety crush prevention device fitted to carriage
- Standard 12 month warranty

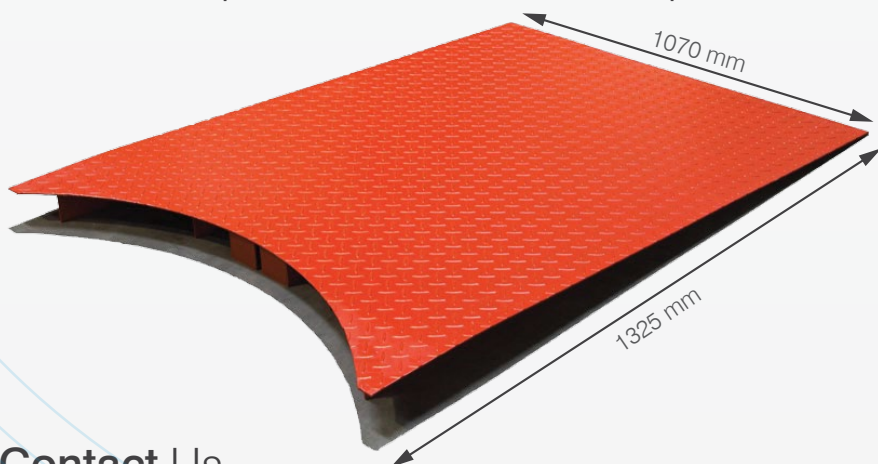
Available Options

- Larger 1800, 2200mm turntable size
- Heavy duty 2000 kg turntable.
- Higher wrapping height - 2700mm.
- Black Photocell eye to detect black or dark products.

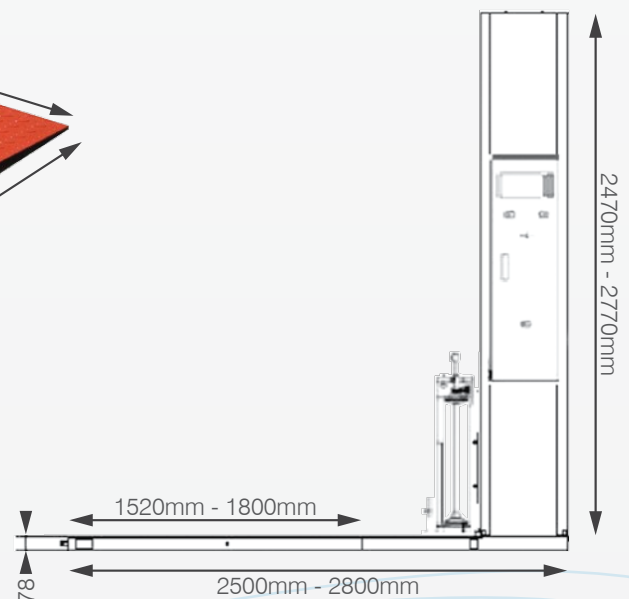
Technical Data

Max height of wrapping	2200 mm
Max pallet size	1200 x 1200 mm
Turntable diameter	1520 mm
Turntable speed	1-10 RPM
Stretch film size	500 mm
Load capacity	2000 kg
Power supply	240v, single phase
Warranty	1 Year
Machine weight	450 kg

Includes pallet truck access ramp



Contact Us



02 9452-3566
sales@getpacked.com.au



PackMATE GPPW-2000